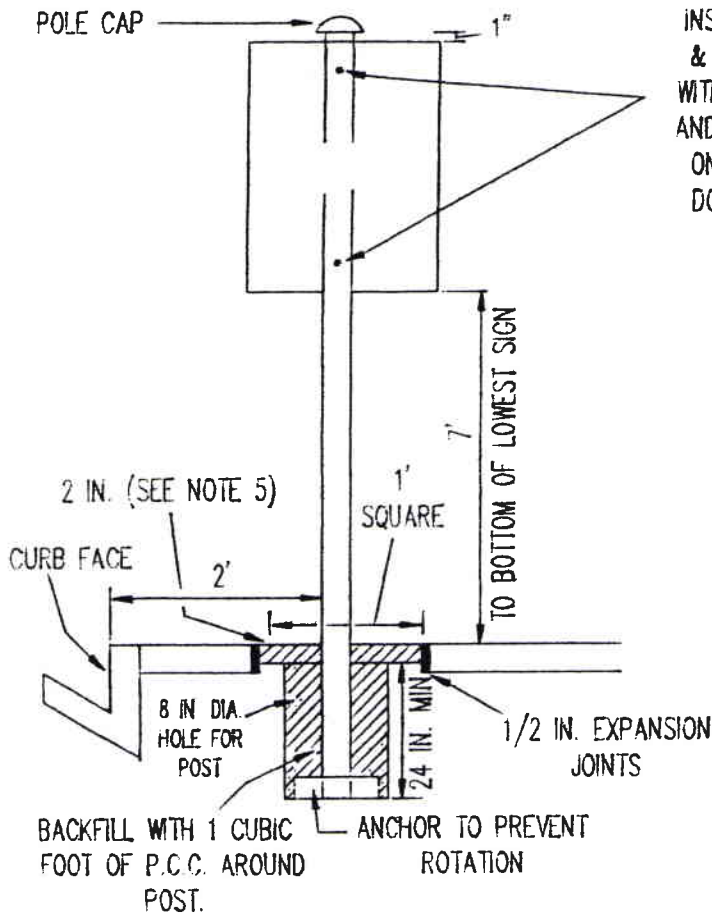
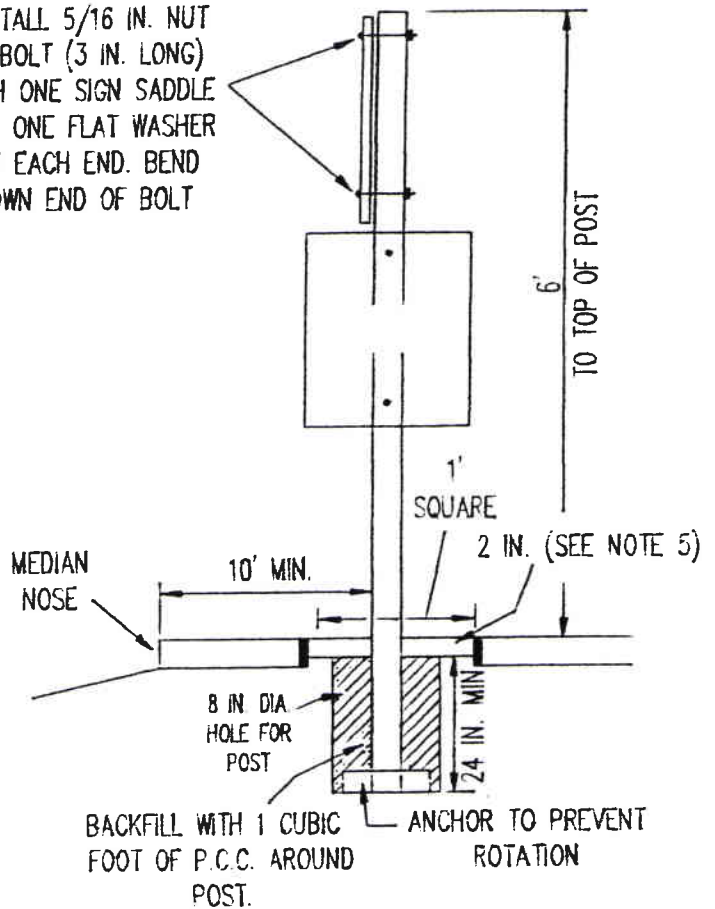


RIGHT SIDE OF ROAD

MEDIAN ISLAND



INSTALL 5/16 IN. NUT & BOLT (3 IN. LONG) WITH ONE SIGN SADDLE AND ONE FLAT WASHER ON EACH END. BEND DOWN END OF BOLT



NOTES:

1. ALL SIGNS SHALL BE REFLECTORIZED 0.080 GAUGE ALUMINUM AND CONFORM TO CALTRANS SPECIFICATIONS.
2. SIGN POSTS SHALL BE 2-3/8 IN. O.D. GALVANIZED IRON PIPE. SIGNS 36 IN. OR LARGER & MEDIAN SIGNS SHALL HAVE 4 IN. X 4 IN. REDWOOD POSTS
3. SIGNS SHALL BE MOUNTED ON POSTS WITH SIGN SADDLES AND BOLTS DRILLED INTO POSTS. FOR SIGNS 36 IN. OR LARGER A GALVANIZED BACK BRACE IS REQUIRED.
4. ALWAYS MOUNT WIDER SIGNS HIGHEST ON THE POST.
5. FOR POSTS INSTALLED WITHIN EXISTING CONCRETE, SAWCUT AND REMOVE 1 FT. SQUARE OR CORE DRILL 8 IN. DIA. AND REPLACE WITH 2 IN. P.C.C. AS SHOWN IN DETAIL. P.C.C. BACKFILL SHALL ALWAYS BE 2 IN. BELOW ADJACENT FINISHED SURFACE.
6. POSTS WITHIN SIDEWALK MUST MAINTAIN A 4' MIN. HORIZONTAL CLEARANCE FOR PEDESTRIANS. IF WALK IS 5' OR LESS WIDE NEXT TO CURB, SIGN POSTS SHALL BE INSTALLED 2 IN. BEHIND WALK BUT NO FURTHER THAN 6' FROM CURBFACE.
7. FINAL LOCATION OF ALL SIGNS ARE SUBJECT TO APPROVAL OF THE CITY TRAFFIC ENGINEER.
8. ALL STOP SIGNS AND WARNING SIGNS ARE 30 IN. X 30 IN. UNLESS OTHERWISE APPROVED. WARNING SIGNS ARE NORMALLY LOCATED 250' IN ADVANCE OF OBJECT.
9. ALL "NO PARKING" SIGNS ARE 12 IN. X 18 IN. AND TYPICALLY SPACED AT 200' INTERVALS.
10. ALL SIGNS SHALL BE IN CONFORMANCE WITH UNIFORM MANUAL OF TRAFFIC CONTROL DEVICES AND CALTRANS TRAFFIC MANUAL.
11. LOCATE ALL UNDERGROUND UTILITIES PRIOR TO EXCAVATING POST HOLES.



APPROVED BY:

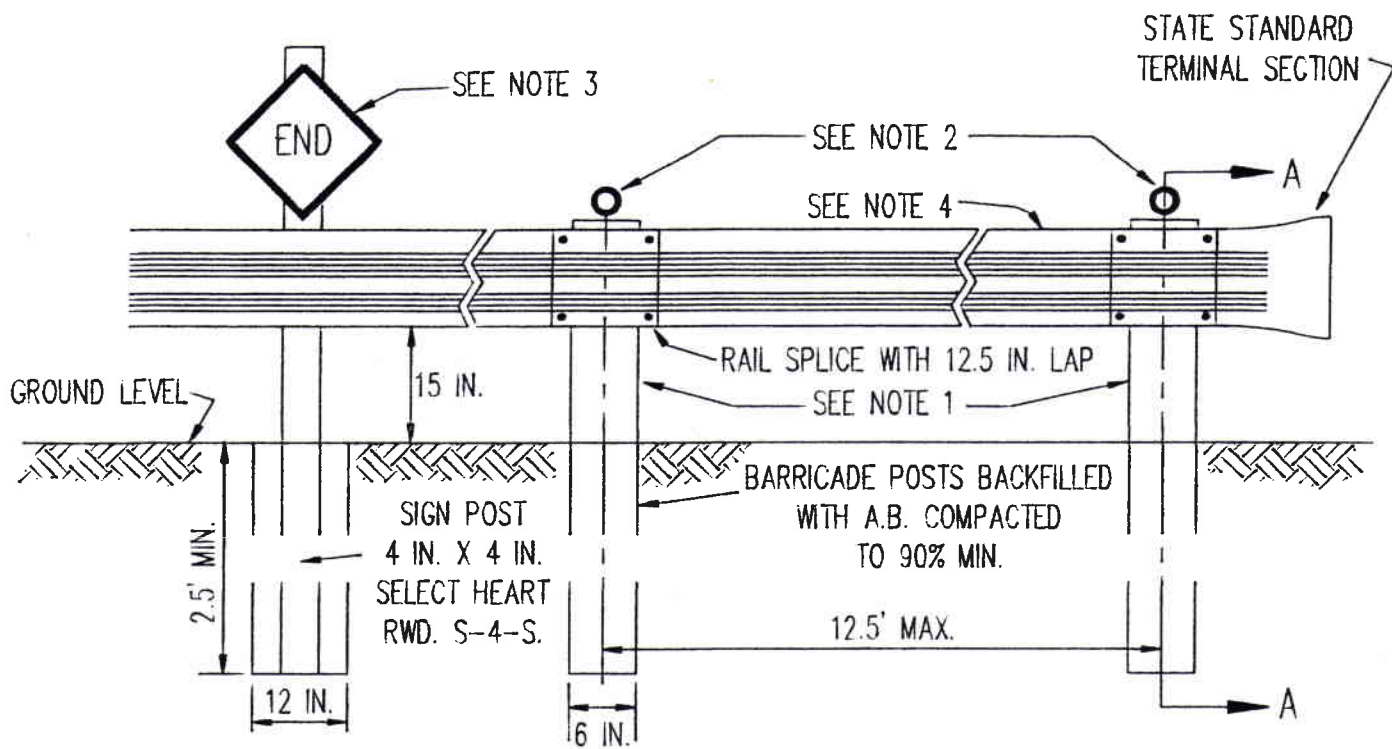
DATE: 5/30/90

Richard R. Cullen
PUBLIC SERVICES DIRECTOR R.C.E. 23797

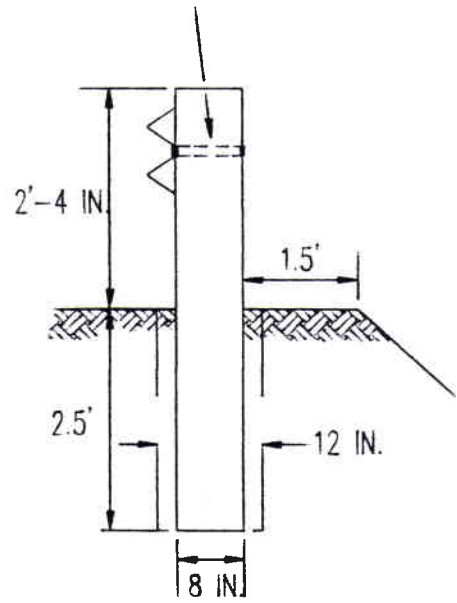
CITY OF MARTINEZ

STREET
SIGNS

SCALE: NONE
STD. DRWG.
NO.
T-1
SHEET 1 OF 1



5/8 IN. GALVANIZED CARRIAGE BOLT WITH HEX NUT AND WASHER.



SECTION A-A

NOTES:

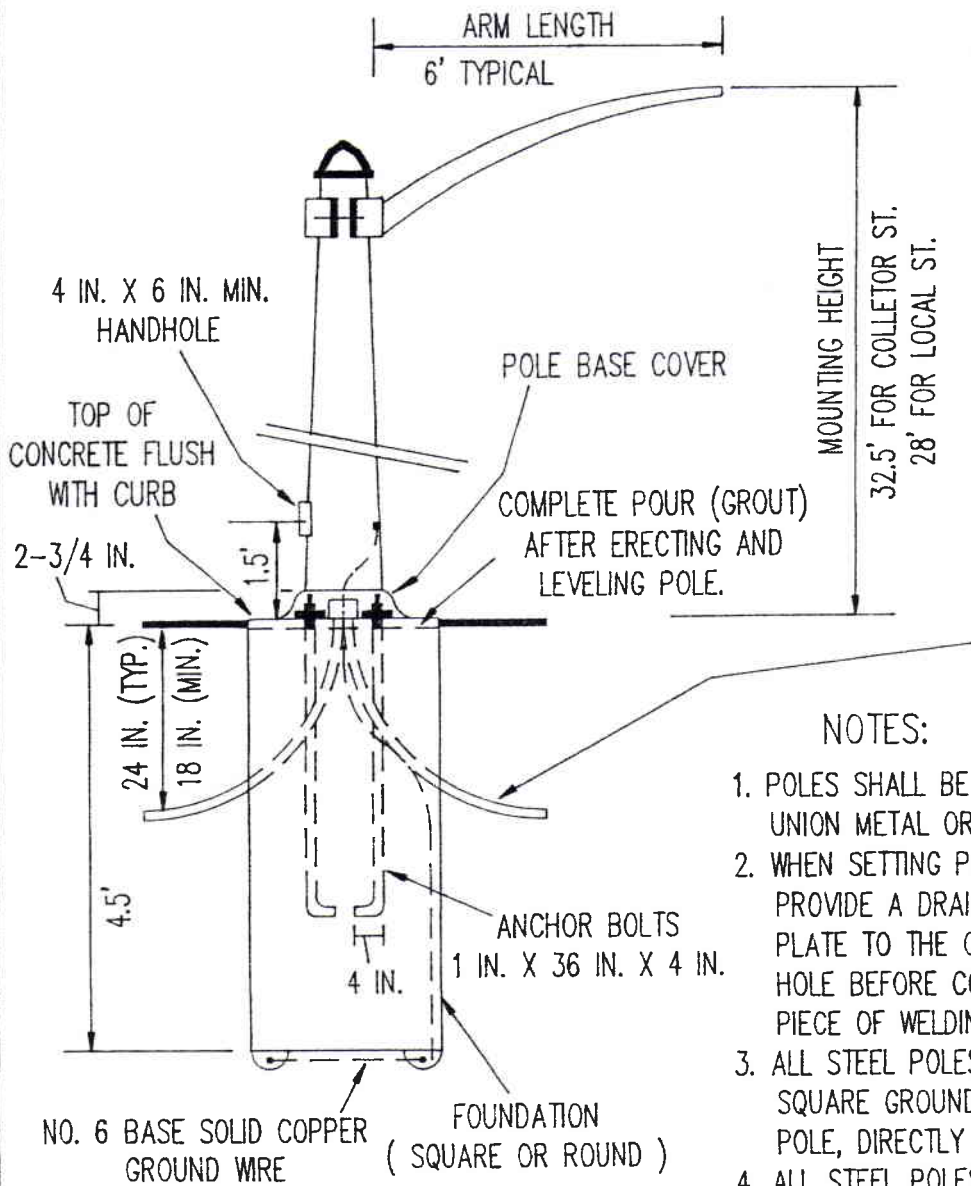
1. BARRICADE POSTS SHALL BE 6 IN. X 8 IN. S-4-S DENSE STRUCTURAL REDWOOD.
2. A 3 IN. CENTER MOUNT AMBER ACRYLIC PLASTIC REFLECTOR IN AN ALUMINUM BEZEL HOUSING SHALL BE INSTALLED ON EACH POST FACING TRAFFIC.
3. FOR DEAD-END STREETS AN .08 IN. THICK 24 IN. X 24 IN. W31R YELLOW DIAMOND "END" SIGN USING REFLECTING SHEETING SHALL BE MOUNTED WITH THE BOTTOM OF THE SIGN 4' ABOVE GROUND LEVEL AND LOCATED AS APPROVED BY THE CITY. USE 5/16 IN. GALVANIZED CARRIAGE BOLTS.
4. METAL GUARDRAIL, AASHO DESIG. M180, 12 GA. GALVANIZED STEEL.
5. A .08 IN. THICK 18 IN. X 18 IN. TYPE N SIGN WITH REFLECTIVE SHEETING SHALL BE MOUNTED AT 25' INTERVALS ALONG ENTIRE LENGTH OF BARRICADE WITH BOTTOM OF SIGN 4' ABOVE GROUND LEVEL. USE RED SIGNS FOR DEAD-END STREETS AND YELLOW SIGNS FOR OTHER LOCATIONS.



APPROVED BY: *Richard P. Cullen* DATE: 5/30/90
 PUBLIC SERVICES DIRECTOR R.C.E. 23797

CITY OF MARTINEZ
 STREET BARRICADE

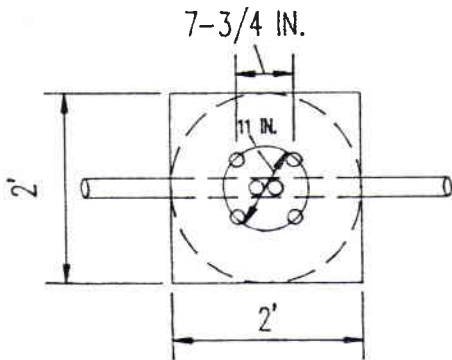
SCALE: NONE
 STD. DRWG. NO. T-2
 SHEET 1 OF 1



1.5 IN. MIN. DIA. 18 IN. RADIUS
PLASTIC CONDUIT BEND, TYPE
A.B.S., OR P.V.C. SCHEDULE 40

NOTES:

1. POLES SHALL BE GALVANIZED STEEL, AMERON, UNION METAL OR APPROVED EQUAL.
2. WHEN SETTING POLES WITH FLAT STEEL BASES, PROVIDE A DRAINAGE HOLE UNDER THE STEEL PLATE TO THE CENTER OF THE POLE. FORM HOLE BEFORE CONCRETE SETS USING A PIECE OF WELDING ROD OR EQUIVALENT.
3. ALL STEEL POLES TO HAVE 1/2 IN. 13 NC SQUARE GROUNDING NUT OR HOLDER IN THE POLE, DIRECTLY OPPOSITE THE HANDHOLE.
4. ALL STEEL POLES TO BE FURNISHED WITH POLE BASE COVERS, HANDHOLE AND HANDHOLE COVER.
5. ALL POLES SHALL BE IN ACCORDANCE WITH APPLICABLE REQUIREMENTS OF EE1-NEMA STANDARDS FOR STREET LIGHTING POLES, EE1 PUBLICATION NO. TDJ-135.
6. ANCHOR BOLTS TO BE COMPLETELY HOT-DIP GALVANIZED, PER ASTM SPEC. A153 AND BE FURNISHED WITH 6 IN. MINIMUM THREAD LENGTH.
7. A NO. 3-1/2 CALTRANS STD. SPLICE BOX SHALL BE FURNISHED WITH EACH STREET LIGHT AND AT MAXIMUM 200' INTERVALS.
8. ENTIRE SYSTEM SHALL ALSO MEET P.G.& E. STANDARDS. IN CASE OF CONFLICT, THE MORE STRICT STANDARD SHALL APPLY. THE APPLICABLE P.G. & E. RATE SCHEDULE IS LS-2C.



APPROVED BY:

DATE:

6/20/90

Richard K. Cullen
PUBLIC SERVICES DIRECTOR R.C.E. 23797

CITY OF MARTINEZ

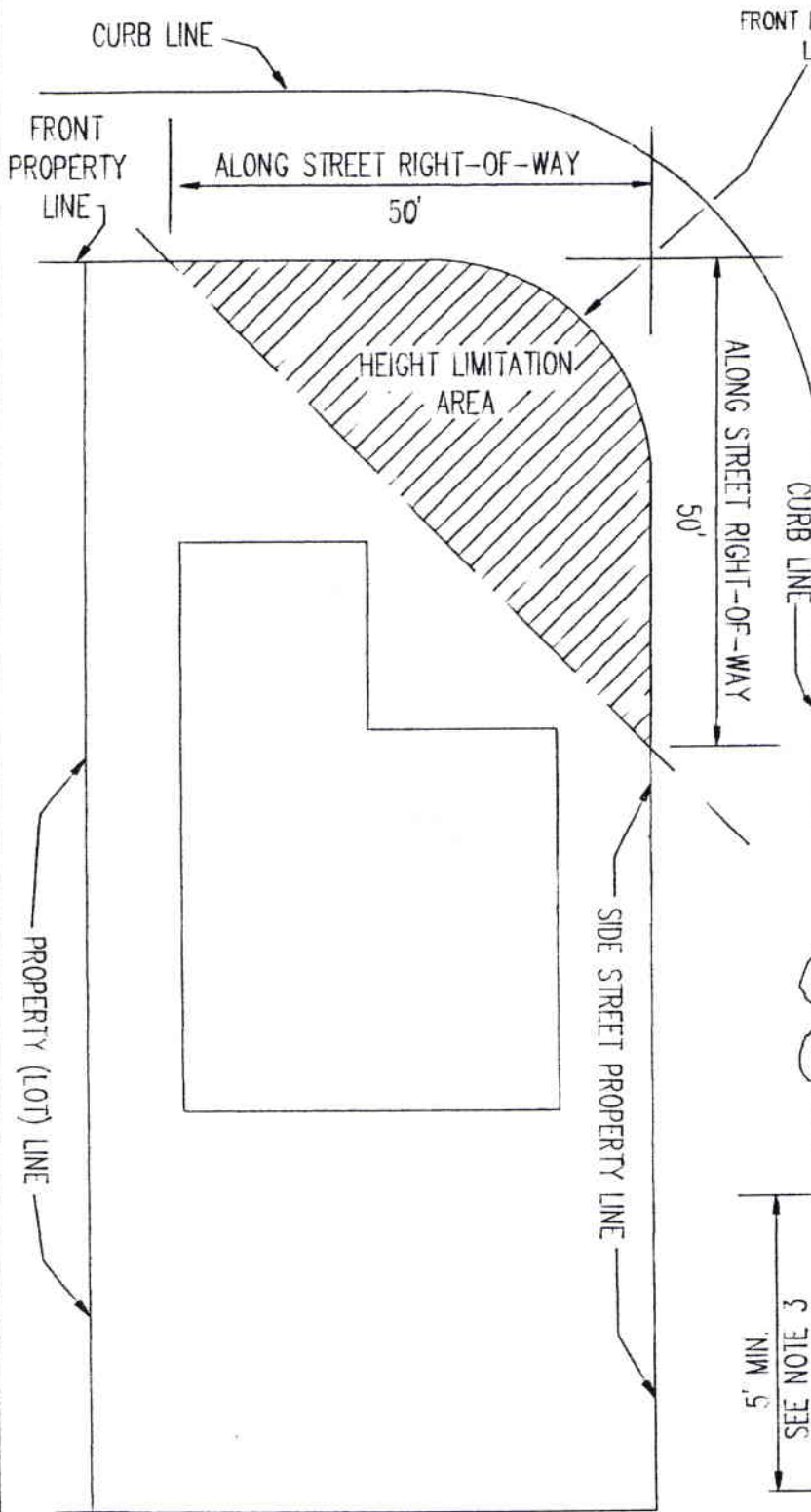
STREET
LIGHTING POLES

SCALE: NONE
STD. DRWG.

NO.

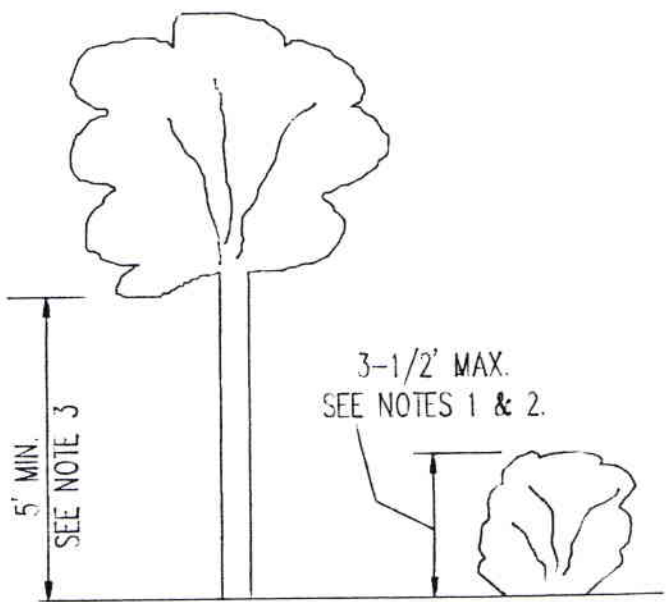
T-4

SHEET 1 OF 1



NOTES:

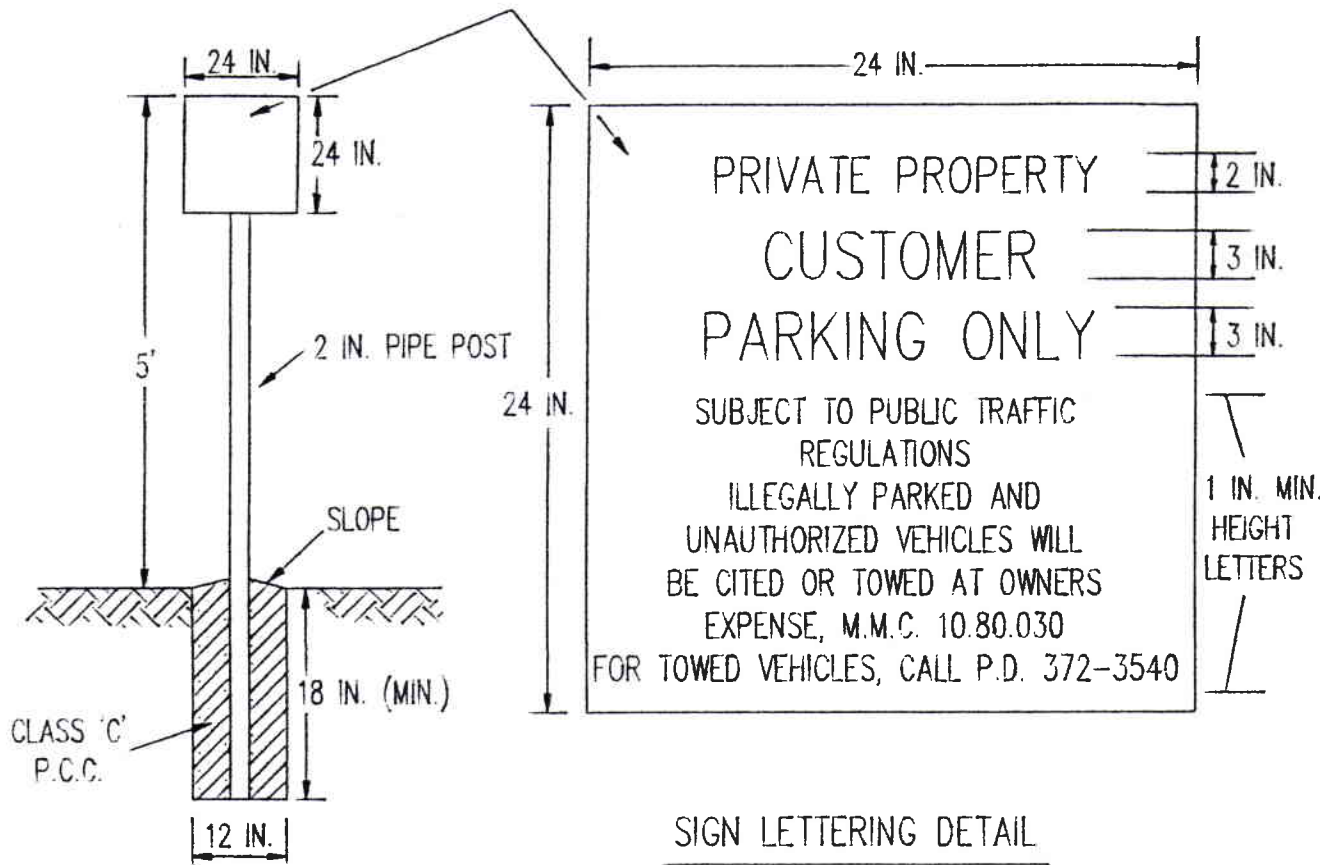
1. ALL FENCES, WALLS, HEDGES, AND OTHER OBSTRUCTIONS SHALL NOT EXCEED 3-1/2' ANYWHERE WITHIN 50' OF A STREET INTERSECTION.
2. IN ZONE "C" COMMERCIAL DISTRICTS, FENCES, WALLS, HEDGES AND OTHER OBSTRUCTIONS SHALL NOT EXCEED 3-1/2' ANYWHERE WITHIN 15' OF THE STREET INTERSECTION.
3. TREES WITHIN HEIGHT LIMITATION AREA SHALL HAVE FOILAGE REMOVED BELOW 5 FOOT HEIGHT.
4. CHECK WITH CITY FOR PROPER SETBACK REQUIREMENTS.
5. REF: (ORD. 822 CS § 2 (PART) 1975: PRIOR CODE § 10.114.4) - MMC 22.34.090)



APPROVED BY: *Richard R. Cullen* DATE: 5/30/90
 PUBLIC SERVICES DIRECTOR R.C.E. 23797

CITY OF MARTINEZ
 INTERSECTION
 SIGHT DISTANCE

SCALE: NONE
 STD DRWG. NO. T-5
 SHEET 1 OF 1



POLE DETAIL

SIGN LETTERING DETAIL

NOTES:

1. SIGN SHALL BE MADE ON FLAT ALUMINUM PLATE WITH A MINIMUM THICKNESS OF 0.080 IN., WITH BLACK LETTERS ON A WHITE BACKGROUND.
2. 3 IN. HIGH LETTER MESSAGE SHALL INDICATE LIMITS OF ENFORCEMENT SUCH AS: "NO PARKING AT ANYTIME," "PRIVATE PARKING," "CUSTOMER PARKING ONLY," "TENANT PARKING ONLY," ETC.
3. SIGN SHALL BE INSTALLED BY THE PROPERTY OWNER, AT EACH PARKING LOT ENTRANCE.
4. PROPERTY OWNER SHALL BE RESPONSIBLE FOR PROPER MAINTENANCE OF THE SIGN.
5. SIGN SHALL BE LOCATED SO AS NOT TO CONFLICT WITH PEDESTRIAN TRAFFIC.
6. REF: C.V.C. SEC. 21107.8



APPROVED BY:

DATE 5/30/90

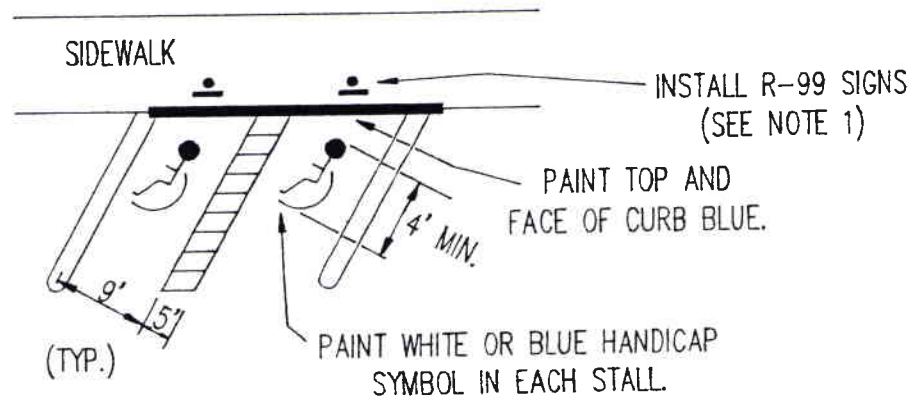
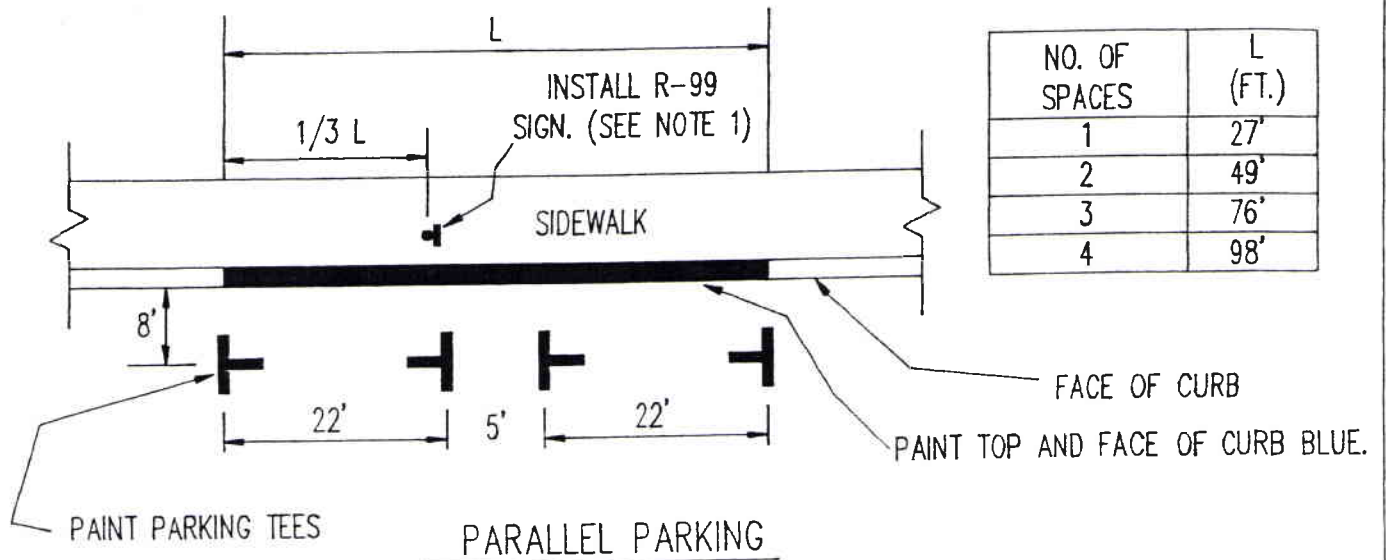
Richard L. Cullen
PUBLIC SERVICES DIRECTOR R.C.E. 23797

CITY OF MARTINEZ

PRIVATE PROPERTY
PARKING SIGN

SCALE: NONE
STD DRWG.
NO
T-6

SHEET 1 OF 1



ANGLE PARKING

NOTES:

1. R99 SIGN SHALL CONFORM TO STATE OF CALIFORNIA STANDARD SPECIFICATIONS. ALSO USE R100B "UNAUTHORIZED VEHICLES.....WILL BE TOWED..." SIGN WHEN DIRECTED BY CITY.
2. SIGNS SHALL BE MOUNTED ON 2 IN. GALVANIZED POSTS. LOCATE 2' BEHIND CURB FACE. HEIGHT TO BOTTOM OF SIGN SHALL BE 7' WITHIN SIDEWALK AREAS AND 4' WITHIN LANDSCAPE AREAS OR WHEN SIGN IS MOUNTED ON A WALL.
3. ONE SIGN SHALL BE INSTALLED FOR EACH 2 PARALLEL SPACES AND ONE FOR EACH ANGLE SPACE.
4. HANDICAP PARKING SPACES SHALL BE LOCATED SO AS TO MINIMIZE THE NEED FOR HANDICAPPED PERSONS TO PASS BEHIND PARKED VEHICLES IN PROCEEDING FROM THEIR VEHICLE TO HANDICAP RAMPS.



APPROVED BY:

DATE: 5/30/90

Richard P. Cullen
PUBLIC SERVICES DIRECTOR R.C.E. 23797

CITY OF MARTINEZ

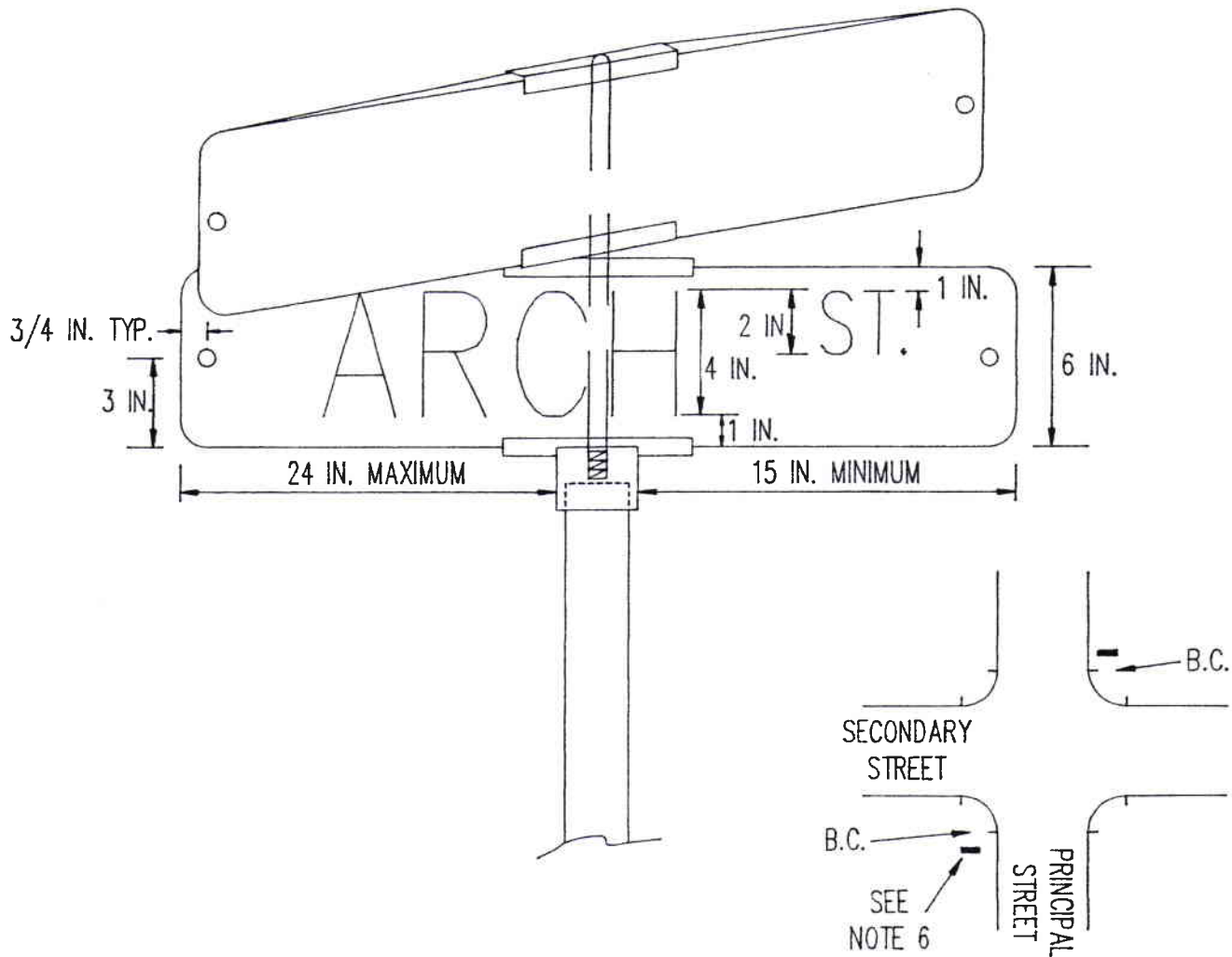
HANDICAP PARKING

SCALE: NONE
STD. DRWG.

NO.

T-7

SHEET 1 OF 1



NOTES:

1. SIGN PLATES SHALL BE FLAT ALUMINUM, 0.080 GAUGE.
2. SIGNS SHALL BE 4 - PLATE ASSEMBLY.
3. SIGN PLATES SHALL HAVE ALL REFLECTIVE SHEETING; PROVIDE HAWKINS MIDNITE BLUE OR APPROVED EQUAL BACKGROUND AND SILVER LETTERS.
4. ASSEMBLY HARDWARE SHALL BE HOT-DIPPED GALVANIZED STEEL OR ALUMINUM WITH MOUNTING SCREW EXTENDING THROUGH SIGNS.
5. SIGN POST SHALL BE 2-3/8 IN. O.D. GALVANIZED IRON PIPE WITH LOWEST SIGN LOCATED 7' ABOVE GROUND.
6. ONE SIGN POST INSTALLED PER INTERSECTION PER CITY STANDARD NO. T-1 AND LOCATED AT B.C. OF PRINCIPAL STREET ON FAR SIDE OF INTERSECTION.
7. ABBREVIATE STREET SUFFIX; USE "PRIVATE" DESIGNATION ON PRIVATE STREETS WITH 1 IN. CAPITAL LETTERS UNDER STREET SUFFIX.

APPROVED BY: <i>Richard F. Cullen</i> PUBLIC SERVICES DIRECTOR R.C.E. 23797	DATE: 6/21/90	CITY OF MARTINEZ	SCALE: NONE
	STREET NAME SIGNS		STD. DRWG. NO. T-8
			SHEET 1 OF 1